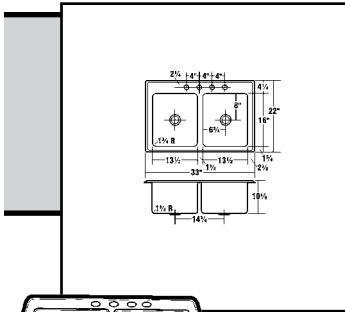


## SILVERCAST DIAMOND STAINLESS STEEL SELF RIMMING SINKS



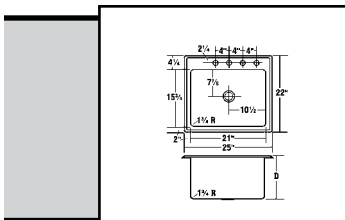
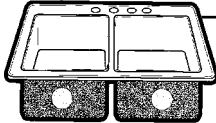
### 10" DEEP DOUBLE BOWL SINK



**HIGHEST QUALITY 15 YEAR LIMITED WARRANTY**  
SEAMLESSLY DRAWN OF #18 GAUGE, TYPE 302 NICKEL-BEARING STAINLESS STEEL. 1<sup>3</sup>/<sub>4</sub>" RADIUS COVED CORNERS. SILVERCRAFT™ HI-LITE 'HALO' SATIN FINISH. UNDERSIDE IS FULLY UNDERCOATED WITH EXCLUSIVE SILVERCOAT™ SOUND GUARD. 3<sup>1</sup>/<sub>2</sub>" DRAIN OPENING.

NOMINAL SIZE	CUTOUT SIZE	CUTOUT RADIUS	THICKNESS LEVEL
33" X 22"	32 <sup>3</sup> / <sub>8</sub> " X 21 <sup>3</sup> / <sub>8</sub> "	1 <sup>1</sup> / <sub>2</sub> "	225

SSC No.	Manuf No.	Holes	Bowl Depth	Overall Size	Capacity	Wgt	Price Each
16D 6000	<b>DLH-3322-3</b>	3	10"	33" X 22"	75 QT.	25 Lbs	\$ 721.17
16D 6020	<b>DLH-3322-4</b>	4	10"	33" X 22"	75 QT.	25 Lbs	721.17



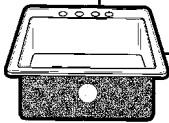
### 10" OR 12" DEEP SINGLE BOWL SINK



**HIGHEST QUALITY 15 YEAR LIMITED WARRANTY**  
SEAMLESSLY DRAWN OF #18 GAUGE, TYPE 302 NICKEL-BEARING STAINLESS STEEL. 1<sup>3</sup>/<sub>4</sub>" RADIUS COVED CORNERS. SILVERCRAFT™ HI-LITE 'HALO' SATIN FINISH. UNDERSIDE IS FULLY UNDERCOATED WITH EXCLUSIVE SILVERCOAT™ SOUND GUARD. 3<sup>1</sup>/<sub>2</sub>" DRAIN OPENING.

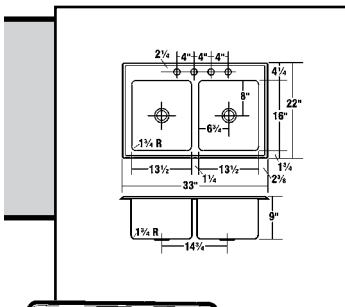
NOMINAL SIZE	CUTOUT SIZE	CUTOUT RADIUS	THICKNESS LEVEL
25" X 22"	24 <sup>3</sup> / <sub>8</sub> " X 21 <sup>3</sup> / <sub>8</sub> "	1 <sup>1</sup> / <sub>2</sub> "	225

SSC No.	Manuf No.	Holes	Bowl Depth	Overall Size	Capacity	Wgt	Price Each
16D 6040	<b>DLH-2522-12-3</b>	3	12"	25" X 22"	65 QT.	19 Lbs	\$ 663.48
16D 6060	<b>DLH-2522-3</b>	3	10"	25" X 22"	55 QT.	18.5 Lbs	\$ 533.66
16D 6080	<b>DLH-2522-4</b>	4	10"	25" X 22"	55 QT.	18.5 Lbs	533.66



DLH-2522-12

DLH-2522



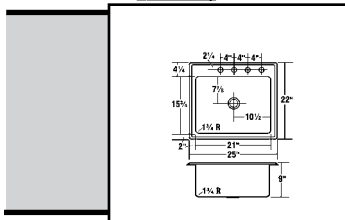
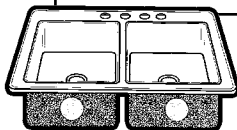
### 9" DEEP DOUBLE BOWL SINK



**HIGHEST QUALITY 15 YEAR LIMITED WARRANTY**  
SEAMLESSLY DRAWN OF #20 GAUGE, TYPE 302 NICKEL-BEARING STAINLESS STEEL. 1<sup>3</sup>/<sub>4</sub>" RADIUS COVED CORNERS. SILVERCRAFT™ HI-LITE 'HALO' SATIN FINISH. UNDERSIDE IS FULLY UNDERCOATED WITH EXCLUSIVE SILVERCOAT™ SOUND GUARD. 3<sup>1</sup>/<sub>2</sub>" DRAIN OPENING.

NOMINAL SIZE	CUTOUT SIZE	CUTOUT RADIUS	THICKNESS LEVEL
33" X 22"	32 <sup>3</sup> / <sub>8</sub> " X 21 <sup>3</sup> / <sub>8</sub> "	1 <sup>1</sup> / <sub>2</sub> "	170

SSC No.	Manuf No.	Holes	Bowl Depth	Overall Size	Capacity	Wgt	Price Each
16D 6100	<b>DPH-3322-3</b>	3	9"	33" X 22"	65 QT.	24.8 Lbs	\$ 432.70
16D 6120	<b>DPH-3322-4</b>	4	9"	33" X 22"	65 QT.	24.8 Lbs	432.70



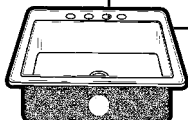
### 9" DEEP SINGLE BOWL SINK



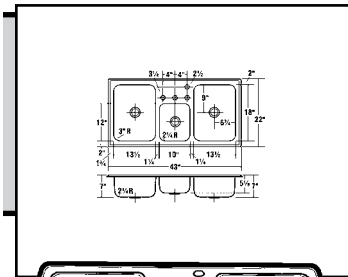
**HIGHEST QUALITY 15 YEAR LIMITED WARRANTY**  
SEAMLESSLY DRAWN OF #20 GAUGE, TYPE 302 NICKEL-BEARING STAINLESS STEEL. 1<sup>3</sup>/<sub>4</sub>" RADIUS COVED CORNERS. SILVERCRAFT™ HI-LITE 'HALO' SATIN FINISH. UNDERSIDE IS FULLY UNDERCOATED WITH EXCLUSIVE SILVERCOAT™ SOUND GUARD. 3<sup>1</sup>/<sub>2</sub>" DRAIN OPENING.

NOMINAL SIZE	CUTOUT SIZE	CUTOUT RADIUS	THICKNESS LEVEL
25" X 22"	24 <sup>3</sup> / <sub>8</sub> " X 21 <sup>3</sup> / <sub>8</sub> "	1 <sup>1</sup> / <sub>2</sub> "	170

SSC No.	Manuf No.	Holes	Bowl Depth	Overall Size	Capacity	Wgt	Price Each
16D 6140	<b>DPH-2522-3</b>	3	9"	25" X 22"	50 QT.	18 Lbs	\$ 360.58
16D 6160	<b>DPH-2522-4</b>	4	9"	25" X 22"	50 QT.	18 Lbs	360.58



## SILVERCAST MERIDIAN STAINLESS STEEL SELF RIMMING SINKS



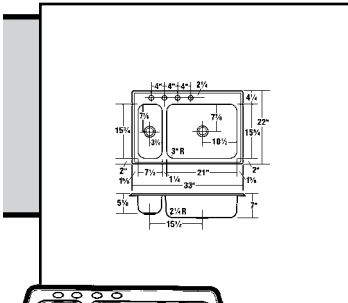
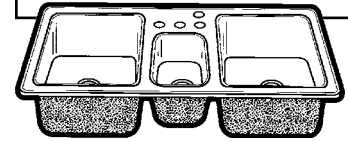
### 7" & 5<sup>1</sup>/<sub>8</sub>" DEEP TRIPLE BOWL SINK



**FINE QUALITY 10 YEAR LIMITED WARRANTY**  
SEAMLESSLY DRAWN OF #20 GAUGE, TYPE 302 NICKEL-BEARING STAINLESS STEEL. BRIGHT SATIN FINISH. RIGHT & LEFT BOWLS ARE 7" DEEP & MIDDLE BOWL IS 5<sup>1</sup>/<sub>8</sub>" DEEP. 3" RADIUS COVED CORNERS. UNDERSIDE IS FULLY UNDERCOATED. 3<sup>1</sup>/<sub>2</sub>" DRAIN OPENING.

NOMINAL SIZE	CUTOUT SIZE	CUTOUT RADIUS	THICKNESS LEVEL
43" X 22"	42 <sup>3</sup> / <sub>8</sub> " X 21 <sup>3</sup> / <sub>8</sub> "	1 <sup>1</sup> / <sub>2</sub> "	170

SSC No.	Manuf No.	Holes	Bowl Depth	Overall Size	Capacity	Wgt	Price Each
16D 6180	<b>MCS-4322-4</b>	4	8" & 5 <sup>1</sup> / <sub>8</sub> "	43" X 22"	63 QT.	22 Lbs	\$ 432.70



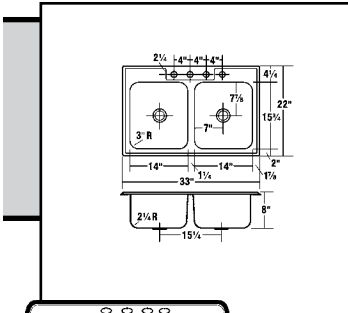
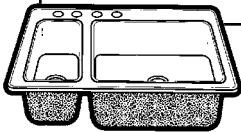
### 7" & 5<sup>1</sup>/<sub>8</sub>" DUAL LEVEL BOWL SINK



**FINE QUALITY 10 YEAR LIMITED WARRANTY**  
SEAMLESSLY DRAWN OF #22 GAUGE, TYPE 301 NICKEL-BEARING STAINLESS STEEL. BRIGHT SATIN FINISH. 7" DEEP RIGHT HAND BOWL & 5<sup>1</sup>/<sub>8</sub>" DEEP LEFT HAND BOWL FOR WASTE DISPOSER. 3" RADIUS COVED CORNERS. UNDERSIDE IS FULLY UNDERCOATED. 3<sup>1</sup>/<sub>2</sub>" DRAIN OPENING.

NOMINAL SIZE	CUTOUT SIZE	CUTOUT RADIUS	THICKNESS LEVEL
33" X 22"	32 <sup>3</sup> / <sub>8</sub> " X 21 <sup>3</sup> / <sub>8</sub> "	1 <sup>1</sup> / <sub>2</sub> "	135

SSC No.	Manuf No.	Holes	Bowl Depth	Overall Size	Capacity	Wgt	Price Each
16D 6200	<b>MCWS-3322-4</b>	4	7" & 5 <sup>1</sup> / <sub>8</sub> "	33" X 22"	42 QT.	16 Lbs	\$ 209.13



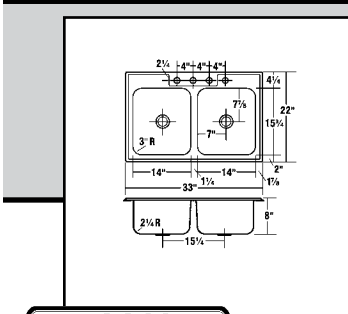
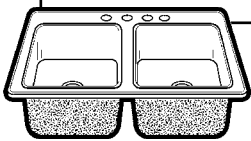
### 8" DEEP DOUBLE BOWL SINK



**FINE QUALITY 10 YEAR LIMITED WARRANTY**  
SEAMLESSLY DRAWN OF #20 GAUGE, TYPE 302 NICKEL-BEARING STAINLESS STEEL. MIRROR FINISH. 3" RADIUS COVED CORNERS. UNDERSIDE IS FULLY UNDERCOATED. 3<sup>1</sup>/<sub>2</sub>" DRAIN OPENING.

NOMINAL SIZE	CUTOUT SIZE	CUTOUT RADIUS	THICKNESS LEVEL
33" X 22"	32 <sup>3</sup> / <sub>8</sub> " X 21 <sup>3</sup> / <sub>8</sub> "	1 <sup>1</sup> / <sub>2</sub> "	170

SSC No.	Manuf No.	Holes	Bowl Depth	Overall Size	Capacity	Wgt	Price Each
16D 6220	<b>MCM-3322-4</b>	4	8"	33" X 22"	50 QT.	19 Lbs	\$ 260.53



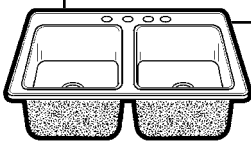
### 8" DEEP DOUBLE BOWL SINK



**FINE QUALITY 10 YEAR LIMITED WARRANTY**  
SEAMLESSLY DRAWN OF #20 GAUGE, TYPE 302 NICKEL-BEARING STAINLESS STEEL. BRIGHT SATIN FINISH. 3" RADIUS COVED CORNERS. UNDERSIDE IS FULLY UNDERCOATED. 3<sup>1</sup>/<sub>2</sub>" DRAIN OPENING.

NOMINAL SIZE	CUTOUT SIZE	CUTOUT RADIUS	THICKNESS LEVEL
33" X 22"	32 <sup>3</sup> / <sub>8</sub> " X 21 <sup>3</sup> / <sub>8</sub> "	1 <sup>1</sup> / <sub>2</sub> "	170

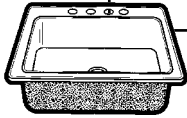
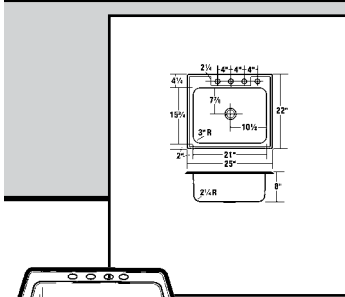
SSC No.	Manuf No.	Holes	Bowl Depth	Overall Size	Capacity	Wgt	Price Each
16D 6240	<b>MCS-3322-3</b>	3	8"	33" X 22"	50 QT.	19 Lbs	\$ 144.23
16D 6260	<b>MCS-3322-4</b>	4	8"	33" X 22"	50 QT.	19 Lbs	144.23



Continued On Next Page



## STAINLESS STEEL SELF RIMMING SINKS



### 8" DEEP SINGLE BOWL SINK

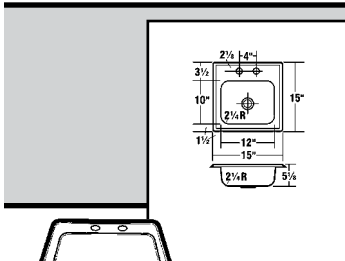


**QUALITY 10 YEAR LIMITED WARRANTY**

SEAMLESSLY DRAWN OF #20 GAUGE, TYPE 302 NICKEL-BEARING STAINLESS STEEL. BRIGHT SATIN FINISH. 3" RADIUS COVED CORNERS. UNDERSIDE IS FULLY UNDERCOATED. 3 1/2" DRAIN OPENING.

NOMINAL SIZE	CUTOUT SIZE	CUTOUT RADIUS	THICKNESS LEVEL
25" X 22"	24 <sup>3</sup> / <sub>8</sub> " X 21 <sup>3</sup> / <sub>8</sub> "	1 <sup>1</sup> / <sub>2</sub> "	170

SSC No.	Manuf No.	Holes	Bowl Depth	Overall Size	Capacity	Wgt	Price Each
16D 6280	<b>MCS-2522-3</b>	3	8"	25" X 22"	38 QT.	14 Lbs	\$ 144.23
16D 6300	<b>MCS-2522-4</b>	4	8"	25" X 22"	38 QT.	14 Lbs	144.23



### 5" DEEP SINGLE BOWL BAR SINK



**QUALITY 10 YEAR LIMITED WARRANTY**

SEAMLESSLY DRAWN OF #20 GAUGE, TYPE 302 NICKEL-BEARING STAINLESS STEEL. MIRROR FINISH. 3" RADIUS COVED CORNERS. UNDERSIDE IS FULLY UNDERCOATED. 2" DRAIN OPENING.

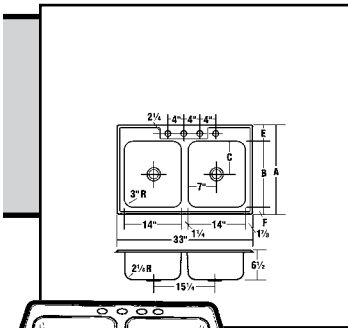
NOMINAL SIZE	CUTOUT SIZE	CUTOUT RADIUS	CAPACITY	THICKNESS LEVEL
15" X 15"	14 <sup>3</sup> / <sub>8</sub> " X 14 <sup>3</sup> / <sub>8</sub> "	1 <sup>1</sup> / <sub>2</sub> "	10 QT.	170

SSC No.	Manuf No.	Holes	Bowl Depth	Overall Size	Capacity	Wgt	Price Each
16D 6320	<b>MCM-1515-2</b>	2	5"	15" X 15"	10 QT.	6.5 Lbs	\$ 155.13

For More Information On These Products Or On Products Not Listed,  
Call *Salina Supply Company* At (785) 823-2221



STAINLESS STEEL SELF RIMMING SINKS



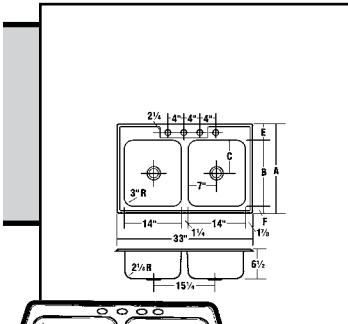
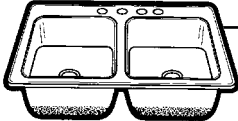
**6 1/2" DEEP 33" X 22" DOUBLE BOWL SINK**



5 YEAR LIMITED WARRANTY  
SEAMLESSLY DRAWN OF #22 GAUGE, TYPE 301 NICKEL-BEARING STAINLESS STEEL.  
MACHINE POLISHED TO BUFFED FINISH. 3" RADIUS COVED CORNERS.  
SINK BOTTOM UNDERCOATED. 3 1/2" DRAIN OPENING.

NUMBER	NOMINAL SIZE	CUTOUT SIZE & RADIUS	THICKNESS	A	B	C	E	F
SDB-3322	33" X 22"	32 3/8" X 21 3/8" 1 1/2"	135	22"	15 3/4"	7 7/8"	4 1/4"	2"

SSC No.	Manuf No.	Holes	Bowl Depth	Overall Size	Capacity	Wgt	Price Each
16D 6340	<b>SDB-3322-3</b>	3	6 1/2"	33" X 22"	40 QT.	12.4 Lbs	\$ 82.70
16D 6360	<b>SDB-3322-4</b>	4	6 1/2"	33" X 22"	40 QT.	12.4 Lbs	82.70



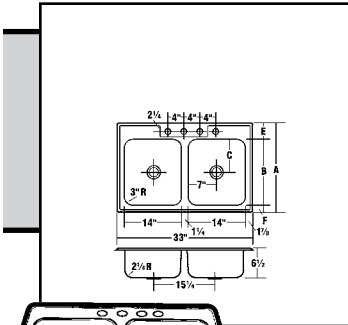
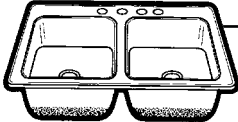
**6 1/2" DEEP 33" X 21" DOUBLE BOWL SINK**



5 YEAR LIMITED WARRANTY  
SEAMLESSLY DRAWN OF #22 GAUGE, TYPE 301 NICKEL-BEARING STAINLESS STEEL.  
MACHINE POLISHED TO BUFFED FINISH. 3" RADIUS COVED CORNERS.  
SINK BOTTOM UNDERCOATED. 3 1/2" DRAIN OPENING.

NUMBER	NOMINAL SIZE	CUTOUT SIZE & RADIUS	THICKNESS	A	B	C	E	F
SDB-3321	33" X 21"	32 3/8" X 20 5/8" 1 1/2"	135	21 1/4"	15 3/4"	7 7/8"	4"	1 1/2"

SSC No.	Manuf No.	Holes	Bowl Depth	Overall Size	Capacity	Wgt	Price Each
16D 6380	<b>SDB-3321-3</b>	3	6 1/2"	33" X 21 1/4"	40 QT.	12.4 Lbs	\$ 89.07
16D 6400	<b>SDB-3321-4</b>	4	6 1/2"	33" X 21 1/4"	40 QT.	12.4 Lbs	89.07



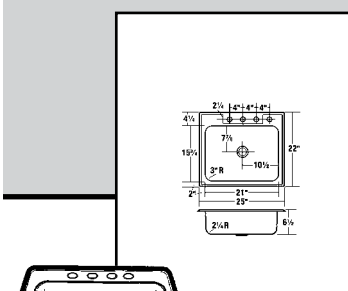
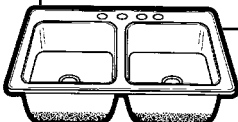
**6 1/2" DEEP 33" X 19" DOUBLE BOWL SINK**



5 YEAR LIMITED WARRANTY  
SEAMLESSLY DRAWN OF #22 GAUGE, TYPE 301 NICKEL-BEARING STAINLESS STEEL.  
MACHINE POLISHED TO BUFFED FINISH. 3" RADIUS COVED CORNERS.  
SINK BOTTOM UNDERCOATED. 3 1/2" DRAIN OPENING.

NUMBER	NOMINAL SIZE	CUTOUT SIZE & RADIUS	THICKNESS	A	B	C	E	F
SDB-3319	33" X 19"	32 3/8" X 18 3/8" 1 1/2"	135	19"	14"	7"	3 1/2"	1 1/2"

SSC No.	Manuf No.	Holes	Bowl Depth	Overall Size	Capacity	Wgt	Price Each
16D 6420	<b>SDB-3319-4</b>	4	6 1/2"	33" X 19"	36 QT.	13 Lbs	\$ 108.16



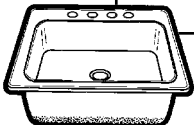
**6 1/2" DEEP SINGLE BOWL SINK**



5 YEAR LIMITED WARRANTY  
SEAMLESSLY DRAWN OF #22 GAUGE, TYPE 301 NICKEL-BEARING STAINLESS STEEL.  
MACHINE POLISHED TO BUFFED FINISH. 3" RADIUS COVED CORNERS.  
BOTTOM OF SINK IS UNDERCOATED. 3 1/2" DRAIN OPENING.

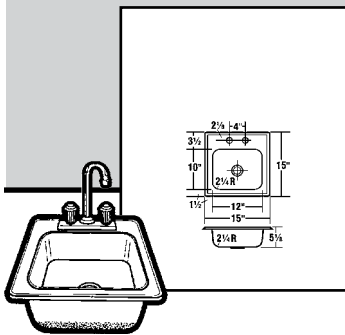
NOMINAL SIZE	CUTOUT SIZE & RADIUS	CAPACITY	THICKNESS LEVEL
25" X 22"	24 3/8" X 21 3/8" 1 1/2"	30 QT.	135

SSC No.	Manuf No.	Holes	Bowl Depth	Overall Size	Capacity	Wgt	Price Each
16D 6440	<b>SDB-2522-3</b>	3	6 1/2"	25" X 22"	40 QT.	9.9 Lbs	\$ 76.35
16D 6460	<b>SDB-2522-4</b>	4	6 1/2"	25" X 22"	40 QT.	9.9 Lbs	76.35





STAINLESS STEEL SELF RIMMING SINKS



## 5" DEEP BAR SINK COMBINATION

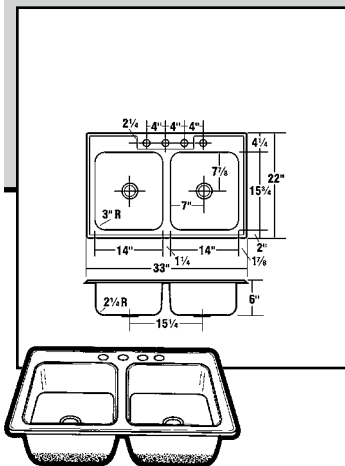


5 YEAR LIMITED WARRANTY

SEAMLESSLY DRAWN OF #23 GAUGE, TYPE 301 NICKEL-BEARING STAINLESS STEEL. 2 1/4" RADIUS COVERED CORNERS. MACHINE POLISHED TO BUFFED FINISH. UNDERCOATED SINK BOTTOM. 2" DRAIN OPENING. •SDB-1515 BAR SINK •2 HANDLE HI-ARC 9" SWING SPOUT BAR SINK FAUCET •SMALL BASKET STRAINER

NOMINAL SIZE	CUTOUT SIZE	CUTOUT RADIUS	THICKNESS LEVEL
15" X 15"	14 3/8" X 14 3/8"	1 1/2"	125

SSC No.	Manuf No.	Holes	Bowl Depth	Overall Size	Capacity	Wgt	Price Each
16D 6480	<b>SDB-1515-C</b>	2	5 1/8"	15" X 15"	9 QT.	6.7 Lbs	\$ 95.43



## 6" DEEP DOUBLE BOWL SINK



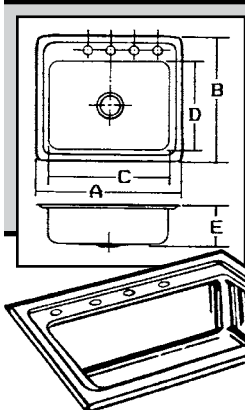
5 YEAR LIMITED WARRANTY

SEAMLESSLY DRAWN OF #23 GAUGE, TYPE 301 NICKEL-BEARING STAINLESS STEEL. MACHINE POLISHED TO BUFFED FINISH. 3" RADIUS COVERED CORNERS. BOTTOM OF SINK IS UNDERCOATED. 3 1/2" DRAIN OPENING.

NOMINAL SIZE	CUTOUT SIZE	CUTOUT RADIUS	THICKNESS LEVEL
33" X 22"	32 3/8" X 21 3/8"	1 1/2"	125

SSC No.	Manuf No.	Holes	Bowl Depth	Overall Size	Capacity	Wgt	Price Each
16D 6500	<b>SKB-3322-3</b>	3	6"	33" X 22"	37 QT.	12 Lbs	\$ 62.28
16D 6520	<b>SKB-3322-4</b>	4	6"	33" X 22"	37 QT.	12 Lbs	62.28

For More Information On These Products Or On Products Not Listed,  
Call *Salina Supply Company* At (785) 823-2221



## ELKAY PACEMAKER STARLITE SELF RIMMING STAINLESS STEEL SINK WITH SINGLE BOWL

TYPE 302 20 GAUGE NICKEL BEARING STAINLESS STEEL • 1 1/2" FAUCET HOLES ON 4" CENTERS LK-5K-H LUSTROUS HIGH LIGHTED SATIN FINISH • FULLY COATED UNDERSIDE • 3 1/2" DRAIN OPENING

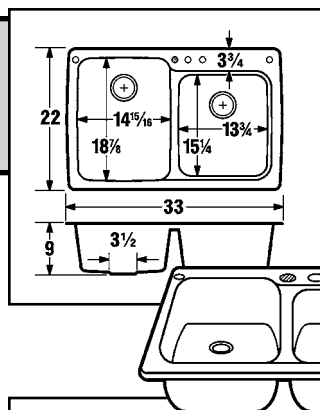
	A	B	C	D	E	CUTOUT SIZE	DROP LEDGE
<b>PSR-1918</b>	19"	18"	16"	11 1/2"	7 1/4"	18 3/8" X 17 3/8"	3/16"
<b>PSR-2222</b>	22"	22"	19"	16"	7 1/4"	21 3/8" X 21 3/8"	3/16"

SSC No.	Manuf No.	Holes	Bowl Depth	Wgt	Price Each
16D 2935	<b>PSR-1918-3</b>	3	7 1/4"	9 Lbs	\$ 353.08
16D 2941	<b>PSR-2222-4</b>	4	7 1/4"	11 Lbs	333.63

## SWANSTONE

### KITCHEN SINKS LAUNDRY TUBS

Note: All Prices On This Page Have Changed

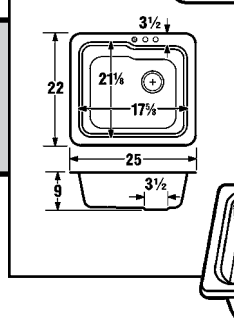


### SWANSTONE DOUBLE BOWL KITCHEN SINK

EASY CARE SWANSTONE SOLID SURFACE COMPOSITION MAKING SINK IMPACT & STAIN RESISTANT.



SSC No.	Manuf No.	Sink Size	Color	Bowl Depth	Wgt	Price Each
16B 1000	<b>KSDB-3322</b>	22" X 33"	White	9"	33 Lbs	\$ 250.51
16B 1050	<b>KSDB-3322</b>	22" X 33"	Bone	9"	33 Lbs	250.51
16B 2000	<b>KSDB-3322</b>	22" X 33"	Tahiti White	9"	33 Lbs	328.52
16B 2050	<b>KSDB-3322</b>	22" X 33"	Tahiti Ivory	9"	33 Lbs	328.52

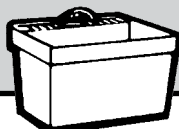
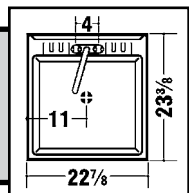


### SWANSTONE SINGLE BOWL KITCHEN SINK

EASY CARE SWANSTONE SOLID SURFACE COMPOSITION MAKING SINK IMPACT & STAIN RESISTANT..



SSC No.	Manuf No.	Sink Size	Color	Bowl Depth	Wgt	Price Each
16B 3000	<b>KSSB-2522</b>	22" X 25"	White	9"	26 Lbs	\$ 226.33
16B 3100	<b>KSSB-2522</b>	22" X 25"	Bone	9"	26 Lbs	226.33

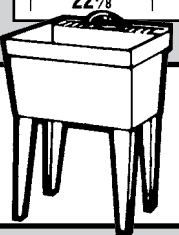
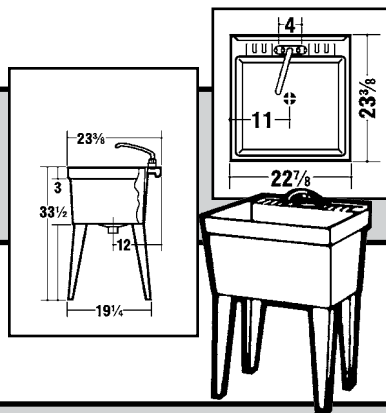


### SINGLE FIBERGLASS WALL MOUNT LAUNDRY TUB KIT

•SINGLE TUB •DRAIN ASSEMBLY KIT •ONE WALL BRACKET ASSEMBLY



SSC No.	Manuf No.	Tub Size	Wgt	Price Each
16F 0010	<b>MF-1W/L-1</b>	23 <sup>3</sup> / <sub>8</sub> " X 22 <sup>7</sup> / <sub>8</sub> "	30 Lbs	\$ 95.07

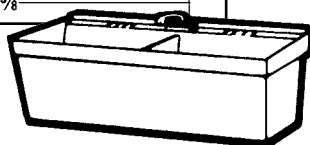
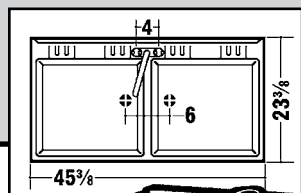


### SINGLE FIBERGLASS FLOOR MOUNT LAUNDRY TUB KIT

•SINGLE TUB •DRAIN ASSEMBLY KIT •SET (4) OF STEEL LEGS & HARDWARE



SSC No.	Manuf No.	Tub Size	Wgt	Price Each
16F 0005	<b>MF-1F/FL-1B</b>	23 <sup>3</sup> / <sub>8</sub> " X 22 <sup>7</sup> / <sub>8</sub> "	30 Lbs	\$ 95.07



### DOUBLE FIBERGLASS WALL MOUNT LAUNDRY TUB KIT

•DOUBLE TUB •DRAIN ASSEMBLY KIT •ONE WALL BRACKET ASSEMBLY



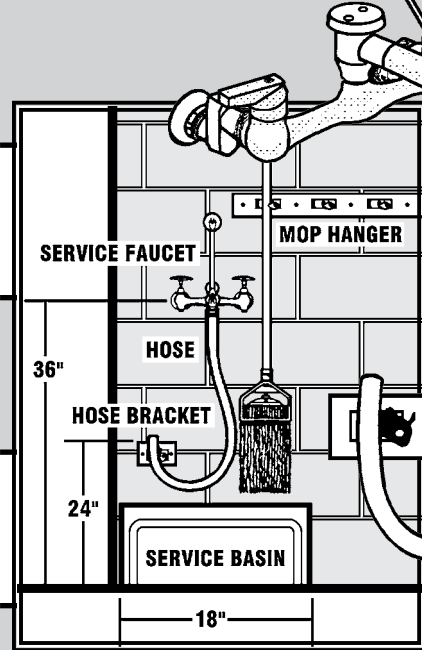
SSC No.	Manuf No.	TUB SIZE	Wgt	Price Each
16F 0210	<b>MF-2W/LTD</b>	45 <sup>1</sup> / <sub>8</sub> " W X 21 <sup>3</sup> / <sub>8</sub> " D	65 Lbs	\$ 201.66

SWANSTONE

MOP SERVICE SINKS

ZURN

\* Price Change



**AQUASPEC® 8" MOP SINK FAUCET**



ROUGH CHROME-PLATED CAST BRASS • QUARTER TURN CERAMIC DISC CARTRIDGES  
 3/8" SHORT SWIVEL INLETS • ADJUSTABLE CENTERS FROM 7 1/4" - 8 3/4" • INTEGRAL SERVICE STOPS  
 6" CENTERLINE CAST BRASS SPOUT WITH VACUUM BREAKER • ADJUSTABLE WALL BRACE  
 PAIL HOOK • 3/4" HOSE THREADED OUTLET • 2 1/2" VANDAL-RESISTANT METAL LEVER HANDLES

SSC No.	Manuf No.	Wgt.	Price Each
20A 2610	<b>Z843M1-RC</b>	Rough Chrome Plated 8 Lbs	\$ 157.07

**HOSE & BRACKET COMBINATION**



5/8" X 31" LONG HEAVY DUTY RUBBER HOSE  
 • CHROME & BRASS COUPLING • CLOTH REINFORCED RUBBER  
 3" X 5" RUBBER HOSE HOLDER • MOUNTING HARDWARE INCLUDED  
 • SPRING LOADED RUBBER HOSE HOLDER ON S.S. BRACKET

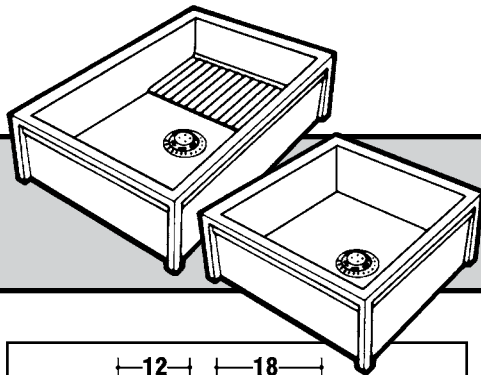
SSC No.	Manuf No.	Hose Size	Bracket Size	Price Each
16F 1010	<b>MS-2405</b>	5/8" X 31"	3" X 5"	\$ 28.40 *

**WALL MOUNTED MOP HANGER**



• 3 SPRING LOADED RUBBER HANDLE HOLDERS MOUNTED ON STAINLESS STEEL BRACKET  
 • 3" X 24" • MOUNTING HARDWARE INCLUDED

SSC No.	Manuf No.	Size	Price Each
16F 1110	<b>MS-2437</b>	3" X 24"	\$ 53.46 *

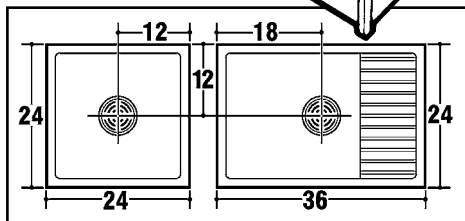


**MOP SERVICE BASINS**



• FIBERGLASS • INTEGRAL SHELF • 3" BRASS DRAIN ASSEMBLY  
 • 10" HEIGHT

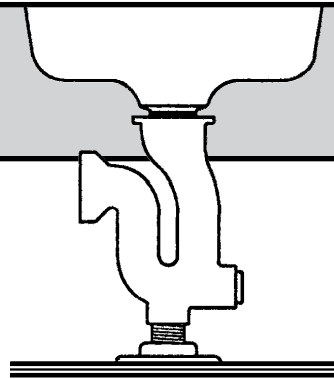
SSC No.	Manuf No.	Size	Wgt.	Price Each
16F 0610	<b>MS-2424-3</b>	24" X 24" X 10"	50 Lbs	\$ 275.09 *
16F 0710	<b>MS-2436-3</b>	24" X 36" X 10"	70 Lbs	294.53 *



16F 2000	<b>3" X 2" Mop Sink Gasket</b>	\$ 22.40 *
----------	--------------------------------	------------

For More Information On These Products Or On Products Not Listed,  
 Call *Salina Supply Company* At (785) 823-2221

**Jones Stephens Corp. ENAMELED CAST IRON**



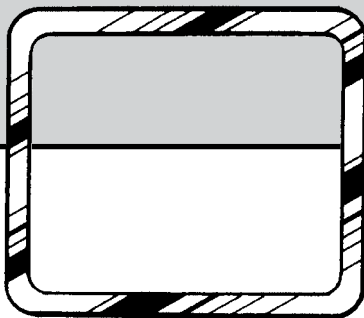
**STANDARD CAST IRON P-TRAP FOR WALL MOUNTED SERVICE SINKS**

- COATED CAST IRON BODY • CHROME-PLATED BRONZE STRAINER • GASKET • CLEANOUT PLUG
- CHROME PLATED BRASS ADJUSTABLE HEAD

SSC No.	Manuf No.	Thread Size	Color	Wgt	Price Each
16A 5610	<b>T00-002</b>	2" IPS	White	24 Lbs	\$ 149.28
16A 5710	<b>T00-003</b>	3" IPS	White	24 Lbs	149.28

For More Information On These Products Or On Products Not Listed,  
Call *Salina Supply Company* At (785) 823-2221

**CECO** STAINLESS STEEL SINK RIMS  
*Quality • Value • Style*

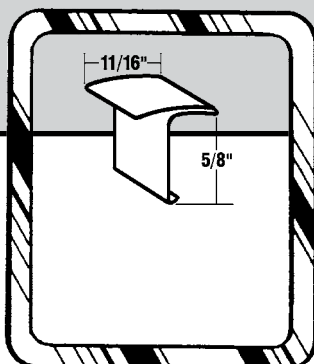


**STAINLESS STEEL SINK RIMS**

NARROW WIDTH FRAME FOR METAL BASINS. MADE OF REGULAR OR SPECIAL NON-CORROSIVE STAINLESS STEEL. ALL RIMS HAVE A CORNER RADIUS OF 1 1/2". FOR LEDGES UP TO 1/2" THICK.

SSC No.	Manuf No.	Size	Wgt.	Price Each
16G 2210	<b>111-D</b>	20" X 18" X 1 1/2"	1.8 Lbs	\$ 98.84

**HUDEE**



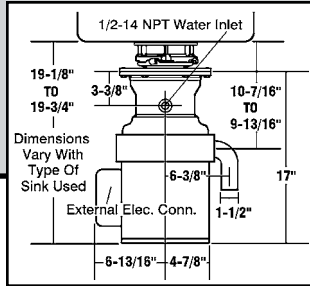
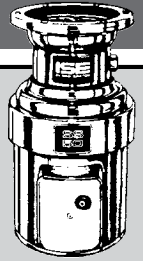
**HUDEE STANDARD STAINLESS STEEL SINK RIMS**

NARROW WIDTH FRAME FOR METAL BASINS. MADE OF REGULAR OR SPECIAL NON-CORROSIVE STAINLESS STEEL. ALL RIMS HAVE A CORNER RADIUS OF 1 1/2". FOR LEDGES UP TO 1/2" THICK.

SSC No.	Manuf No.	Size	Price Each
16G 1410	<b>111-D</b>	18" X 12" X 1 1/2"	\$ 32.00
16G 2110	<b>111-D</b>	20" X 16" X 1 1/2"	33.33

## IN-SINK-ERATOR

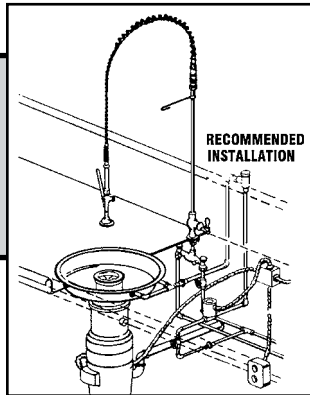
\*Price Change



### IN-SINK-ERATOR COMMERCIAL DISPOSALS

- FITS 3 1/2" TO 4" SINK OPENING • TRIPLE LIP PRIMARY WATER SEAL
- SOUND & VIBRATION BARRIER • STAINLESS STEEL MOTOR SHIELD & GRIND CHAMBER
- DOUBLE TAPERED TIMKEN ROLLER BEARINGS • EXTERNAL ELECTRICAL CONNECTIONS
- 3/4" HYCAR MOUNTING GASKET IN CHROME PLATED COVER FOR SANITATION
- OVERLOAD PROTECTOR - MANUAL RESET • TOTALLY ENCLOSED DUAL DIRECTIONAL MOTOR
- CONTROLLED POWER AIR FLOW COOLS THE MOTOR
- CENTRIFUGAL MOISTURE SHIELD FOR BEARINGS & MOTOR

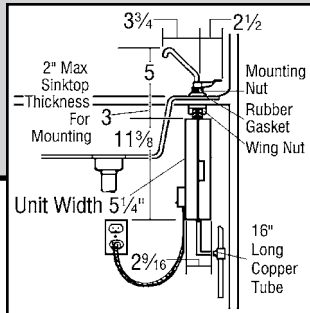
SSC No.	Manuf No.	H.P.	RPM	Wgt	Price Each
16H 0610	<b>SS-50</b>	1/2	1725	45 Lbs	\$ 1313.79
16H 1310	<b>SS-75</b>	3/4	1725	47 Lbs	1800.52



### COMMERCIAL OVERHEAD PRE-RINSE SPRAY

- WITH SPRING ACTION GOOSENECK • 4" CENTER • 1/4" TAILPIECE INLETS • 40" HIGH
- 15" OVERHANG • 9" CLEARANCE • B-0044-H FLEXIBLE STAINLESS STEEL HOSE
- 24" RISER MODEL 000372-40 • B-0107 SPRAY VALVE
- VOLUME CONTROLS WITH SCREWDRIVER SLOTS

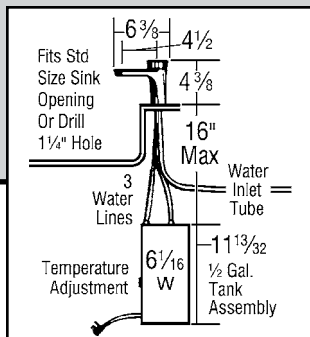
SSC No.	Manuf No.	Wgt	Price Each
16H 2510	<b>B-0173</b>	Commercial Pre-Rinse Unit	11 Lbs \$ 563.14 *



### IN-SINK-ERATOR H-330 HOT WATER DISPENSER

- UP TO 40 CUPS PER HOUR AT 190°F • .95 KWH PER DAY ENERGY CONSUMPTION • BRASS TANK
- BRASS SELF CLOSING VALVE • COPPER TUBING • 3 WIRE POWER CORD
- SNAP ACTION ADJUSTABLE THERMOSTAT 160° TO 200°F (FACTORY PRESET AT 190°F)

SSC No.	Manuf No.	Size	Watts	Amps	Voltage	Wgt	Price Each
16H 3500	<b>H-330/HOT-1</b>	1/3 Gallon	500	4.3	120V	4 Lbs	\$ 223.25 *



### IN-SINK-ERATOR H-770 HOT WATER DISPENSER

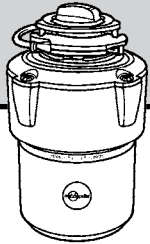
- UP TO 60 CUPS PER HOUR AT 190°F • 4 1/2" SPOUT • 14 GAUGE 3' POWER CORD
- SNAP ACTION ADJUSTABLE THERMOSTAT 140° TO 200°F (FACTORY PRESET AT 190°F)
- MEETS UL 94HF-1 FLAMMABILITY SPECIFICATIONS • INSTANT SELF CLOSING VALVE

SSC No.	Manuf No.	Size	Watts	Amps	Voltage	Wgt	Price Each
16H 4010	<b>H-770</b>	1/2 Gallon	750	6.5	115V	8 Lbs	\$ 339.91

	<b>80935-GD-1</b>	<b>Dishwasher/Disposal Connection</b>					\$ 2.69
20J 9057	<b>B6W48</b>	<b>Dishwasher Connector</b>			3/8" x 3/8" OD x 48"		11.24
20J 9058	<b>B6W72</b>	<b>Dishwasher Connector</b>			3/8" x 3/8" OD x 72"		15.16

## IN-SINK-ERATOR

\*Price Change



### EVOLUTION PRO COVER CONTROL 3/4 HP DISPOSER

•MAGNETIC COVER START® •GRAY TEN-1706 FINISH •MULTIGRIND® WITH 2 STAGES OF GRIND •SOUNDSEAL PLUS™  
 •13<sup>1</sup>/<sub>8</sub>" TALL •FULL 7 YEAR WARRANTY ON PARTS & IN HOME SERVICE

SSC No.	Manuf No.	H.P.	Motor	Voltage	Wgt	Price Each
16H 0010		3/4	1 Phase 60Hz A.C.	115 V	22 Lbs	\$ 388.25



### IN-SINK-ERATOR EVOLUTION EXCEL 1 HP DISPOSER

•STAINLESS STEEL LIGHT GRAY FINISH •AUTO-REVERSE GRIND SYSTEM™ •CONTINUOUS FEED •SOUNDSEAL PLUS  
 •MULTIGRIND PLUS •13<sup>1</sup>/<sub>2</sub>" TALL •FULL 7 YEAR WARRANTY ON PARTS & IN HOME SERVICE

SSC No.	Manuf No.	H.P.	Motor	Voltage	Wgt	Price Each
16H 0110	<b>EXCEL</b>	1	1 Phase 60Hz A.C.	115 V	26 Lbs	\$ 485.54 *



### IN-SINK-ERATOR EVOLUTION ESSENTIAL™ 3/4 HP DISPOSER

•BLACK ENAMEL GRAY FINISH •AUTO REVERSE •CONTINUOUS FEED •SOUNDSEAL PLUS •MULTIGRIND PLUS  
 •12<sup>5</sup>/<sub>8</sub>" TALL •FULL 6 YEAR WARRANTY ON PARTS & IN HOME SERVICE

SSC No.	Manuf No.	H.P.	Motor	Voltage	Wgt	Price Each
16H 0460	<b>ESSENTIAL</b>	3/4	1 Phase 60Hz A.C.	115 V	18 Lbs	\$ 312.14



### IN-SINK-ERATOR EVOLUTION COMPACT 3/4 HP DISPOSER

•BLACK ENAMEL GRAY FINISH •SINGLE DIRECTION •CONTINUOUS FEED •SOUNDSEAL PLUS •MULTIGRIND PLUS  
 •12<sup>1</sup>/<sub>8</sub>" TALL •FULL 4 YEAR WARRANTY ON PARTS & IN HOME SERVICE

SSC No.	Manuf No.	H.P.	Motor	Voltage	Wgt	Price Each
16H 0310	<b>COMPACT</b>	3/4	1 Phase 60Hz A.C.	115 V	18 Lbs	\$ 268.88

For More Information On These Products Or On Products Not Listed,  
 Call *Salina Supply Company* At (785) 823-2221

Continued On Next Page

## IN-SINK-ERATOR

Note: All Prices On This Page Have Changed



### IN-SINK-ERATOR BADGER 5XP 3/4 HP HOUSEHOLD DISPOSER

- RUGGED GALVANIZED STEEL •SINGLE DIRECTION •CONTINUOUS FEED •"QUICK LOCK" MOUNTING
- FULL 3 YEAR WARRANTY ON PARTS & IN HOME SERVICE

SSC No.	Manuf No.	H.P.	Motor	Voltage	Wgt	Price Each
16H 0557	<b>BADGER 5XP</b>	3/4	1 Phase 60Hz A.C.	115 V	16 Lbs	\$ 162.24



### IN-SINK-ERATOR BADGER 5 1/2 HP HOUSEHOLD DISPOSER

- RUGGED GALVANIZED STEEL •SINGLE DIRECTION •CONTINUOUS FEED •"QUICK LOCK" MOUNTING
- FULL 2 YEAR WARRANTY ON PARTS & IN HOME SERVICE

SSC No.	Manuf No.	H.P.	Motor	Voltage	Wgt	Price Each
16H 0555	<b>BADGER 5</b>	1/2	1 Phase 60Hz A.C.	115 V	15 Lbs	\$ 121.51



### IN-SINK-ERATOR BADGER 1 1/3 HP HOUSEHOLD DISPOSER

- RUGGED GALVANIZED STEEL •SINGLE DIRECTION •CONTINUOUS FEED •"QUICK LOCK" MOUNTING
- FULL 1 YEAR WARRANTY ON PARTS & IN HOME SERVICE

SSC No.	Manuf No.	H.P.	Motor	Voltage	Wgt	Price Each
16H 0550	<b>BADGER 1</b>	1/3	1 Phase 60Hz A.C.	115 V	14 Lbs	\$ 104.44



### IN-SINK-ERATOR CONTRACTOR 333 3/4 HP DISPOSER

- HEAVY DUTY MOTOR •QUIET DURA-DRIVE® •SINGLE DIRECTION •CONTINUOUS FEED •"QUICK LOCK" MOUNTING
- FULL 3 YEAR WARRANTY ON PARTS & IN HOME SERVICE

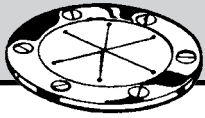
SSC No.	Manuf No.	H.P.	Motor	Voltage	Wgt	Price Each
16H 0575	<b>CONTR333</b>	3/4	1 Phase 60Hz A.C.	115 V	35 Lbs	\$ 239.58

16H 0565	<b>Bio Charge Refill For Septic Disposer</b>				16 OZ.	\$ 21.67
----------	--	--	--	--	--------	----------

**SELECTION CHART FOR  
IN-SINK-ERATOR MOUNTING ADAPTER RINGS  
ON NEXT PAGE**

## IN-SINK-ERATOR

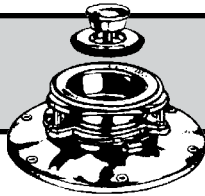
\*Price Change



### IN-SINK-ERATOR ADAPTER KIT

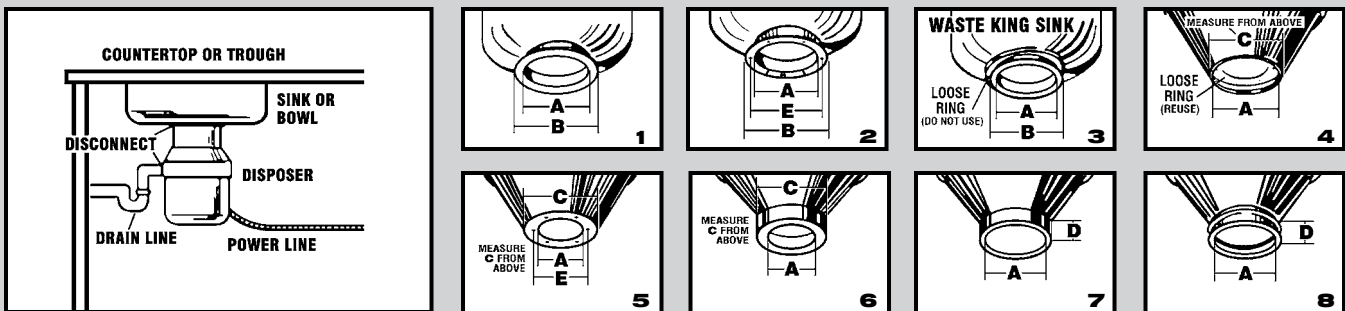
SPECIAL ADAPTERS ARE AVAILABLE TO REPLACE WORN OUT COMPETITIVE & ISE DISPOSERS WITH ISE BASE UNITS. SEE CHART BELOW.

SSC No.	Manuf No.	Price Each
16H 1710	<b>11327A</b>	Fits 4 1/2" Sink Opening \$ 146.42 *



### IN-SINK-ERATOR FLANGE MOUNTING ADAPTER

SSC No.	Manuf No.	Price Each
16H 2310	<b>5</b>	Fits 3 1/2" To 4" Sink Opening \$ 239.41



**STEP 1:** Disconnect existing disposer from sink bowl or cone. **STEP 2:** Find existing sink bowl or cone from pictures at top of chart. **STEP 3:** Measure A & B Dimensions (Also C, D & E As Indicated). Do Not Measure Existing Disposer Mounting Parts

Normally Used By	A	B	C	D	E	Boils	Adapter	Special Information
<b>SINKS 1, 2 &amp; 3</b>								
WASTE KING • ISE • TOLEDO • NATIONAL	4 1/2"	5 1/8"					<b>11327A</b>	Discard Previous Adapter Parts.
WASTE KING • RED GOAT	4 1/2"	6 1/2"			5 1/2"	<b>6</b>	<b>11599</b>	Discard Previous Adapter Parts.
FMC • AVANT	4 5/8"	5 1/8"					<b>11378</b>	Re-Use Split Ring.
FMC • AVANT	5 1/4"	5 1/16"					<b>11327C</b>	Discard Previous Adapter Parts.
BUS BOY	6"	6 3/4"					<b>11327K</b>	Discard Previous Adapter Parts.
WASTE KING	6"	6 1/2"					<b>11327D</b>	Loose Ring On Sink Not Used With This Adapter.
ISE • TOLEDO	6"	7 3/16"					<b>11327B</b>	Discard Previous Adapter Parts.
AMERICAN DELPHI • ATOMIC	6"	7 1/2"			6 3/4"	<b>6</b>	<b>11378D</b>	Discard Previous Adapter Parts.
STANDARD ISE MOUNTING	6 5/8"	7 1/8"					<b>11599A</b>	Discard Previous Adapter Parts.
NATIONAL • TOLEDO	7"	7 3/8"					<b>11327G</b>	Discard Previous Adapter Parts.
SALVAJOR	7"	7 3/4"					<b>11599A</b>	Discard Previous Adapter Parts.
NATIONAL	7"	8 1/2"			8 1/16"	<b>10</b>	<b>11599B</b>	Discard Previous Adapter Parts.
ISE TOLEDO	8"	9 1/4"					<b>11327</b>	Discard Previous Adapter Parts.
HOBART	9"	12 1/8"			11 1/8"	<b>8</b>	<b>11327E</b>	Discard Previous Adapter Parts.
<b>SINKS 4, 5 &amp; 6</b>								
HOBART	4 1/2"		6 7/8"		5 1/2"	<b>6</b>	<b>11327H</b>	Discard Previous Adapter Parts.
HOBART	5"		5 7/8"				<b>11327J</b>	Discard Previous Adapter Parts.
WASTE KING • BUS BOY	5 7/8"		6 1/2"				<b>11327H</b>	Re-Use Clamping Ring (If Unreusable Request #11307 Clamping Ring).
WASTE KING • BUS BOY	5 7/8"		6 7/8"				<b>11327H</b>	Re-Use Clamping Ring (If Unreusable Request #11307 Clamping Ring).
G.E.	6"		6 3/8"				<b>11378E</b>	Discard Previous Adapter Parts.
<b>SINK 7</b>								
RED GOAT	4 1/2"			1 1/8"			<b>11378C</b>	Re-Use Rubber Connection Sleeve & Clamping Bands. Disposer Requires Support Legs.
WASTE KING	6"			1 1/8"			<b>11378A</b>	Re-Use Rubber Connection Sleeve & Clamping Bands. Disposer Requires Support Legs.
RED GOAT	7"			1 1/8"			<b>11378B</b>	Re-Use Rubber Connection Sleeve & Clamping Bands. Disposer Requires Support Legs.
WASTE KING	6"			1 1/8"			<b>11599C</b>	Substitute For 11378A If Rubber Connection Sleeve Is Unre-Usable. Requires Support Legs.
RED GOAT	4 1/2"			1 1/8"			<b>11599G</b>	Substitute For 11378C If Rubber Connection Sleeve Is Unre-Usable. Requires Support Legs.
MASTER	8"			1"			<b>11599J</b>	Re-Use Rubber Connection Sleeve & Clamping Bands. Disposer Requires Support Legs.
MASTER	8"			1"			<b>11599K</b>	Substitute For 11599J If Rubber Connection Sleeve Is Unre-Usable. Requires Support Legs.
RED GOAT	7"			1 1/8"			<b>11599L</b>	Substitute For 11378B If Rubber Connection Sleeve Is Unre-Usable. Requires Support Legs.
<b>SINK 8</b>								
SALVAJOR	4 7/16"			1"			<b>11599D</b>	Re-Use Rubber Connection Sleeve & Clamping Bands. Disposer Requires Support Legs.
SALVAJOR	6 5/8"			1"			<b>11378B</b>	Re-Use Rubber Connection Sleeve & Clamping Bands. Disposer Requires Support Legs.
SALVAJOR	6 5/8"			1"			<b>11599H</b>	Substitute For 11378B If Rubber Connection Sleeve Is Unre-Usable. Requires Support Legs.