

Myers STOCKED PARTS

HJ/HD SERIES EJECTO PUMP PARTS LIST
 1/3, 1/2, 3/4 & 1 HP
 SHALLOW WELL

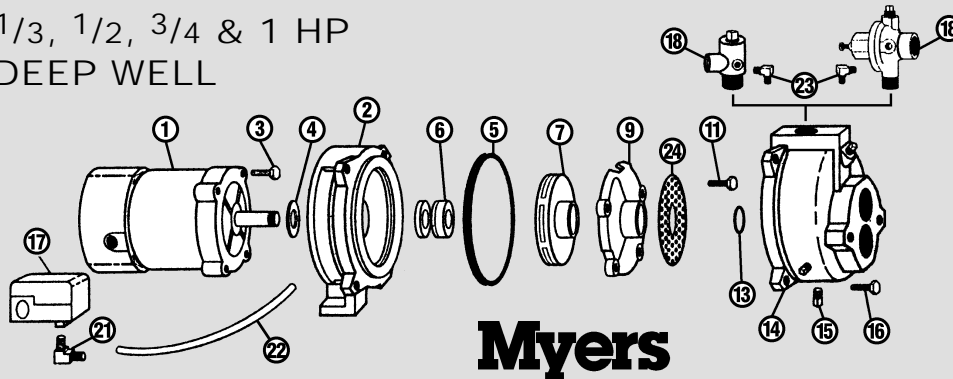
HJ	HD
1/3 HP	
HJ33S	HD33S
HJ33S-1	HD33S-1
HJ33S-1-21	HD33S-1-21
1/2 HP	
HJ50S	HD50S
HJ50S-1	HD50S-1
3/4 HP	
HJ75S	HD75S
1 HP	
HJ100S	HD100S
HJ100S-1	

Myers

Key No.		Stocked Part No. For 1/3 HP Units	Stocked Part No. For 1/2 HP Units	Stocked Part No. For 3/4 HP Units	Stocked Part No. For 1 HP Units
1	HJ Motor - 115V				
1	HJ MOTOR - 115/230V		20924A-	20934A-	20935A-
1	HD Motor - 115V				
1	HD Motor - 230V				
2	Bracket - HJ				
2	Bracket - HD				
3	Screw Set #10 - 24 UNC X 3/16" - HD - secures bearing - 2 req.				
3	Screw, Cap, 3/8" - 16 UNC x 7/8" - HJ - 4 required				
4	SLINGER	05059A318-	05059A318-	05059A318-	05059A318-
5	Gasket				
6	SHAFT SEAL	14525A000K-	14525A000K-	14525A000K-	14525A000K-
7	IMPELLER - Lexan	16621B010-	16622B010-		
7	IMPELLER - Brass				19196B4-
8	VENTURI	25886A406-	25886A500-		
9	DIFFUSER		12371B000K-		
11	Screw, Cap, 1/4" - 20 UNC x 1" - 3 required				
12	NOZZLE	12366A-	12367A-		
13	O Ring				
14	CASE - Pump	1862201-	1862201-		
15	Plug, Pipe, 1/8" NPT - 1/3 & 1/2 HP 2 req.; 3 req. on others				
15	Plug, Pipe, 1/4" NPT - 1/3 & 1/2 HP 2 req.; 3 req. on others				
16	Screw, Cap, 3/8" - 16 UNC x 1 1/4" - 4 required				
16	Screw, Cap, 7/16" - 14 UNC x 1 1/2" - 4 required				
17	Pressure Switch				
18	Nut, Conduit Nipple				
18	Nipple, Conduit - For units with separate nipple				
18	Tee				
19	Bushing				
20	Plug, Pipe				
21	Fitting - 1/4" NPT - For units with plastic tube				
22	Tube - For units with plastic tube				
23	Fitting - 1/8" NPT - For units with plastic tube				
23	Package - Consists of Ref. Nos. 18 through 23				
24	SCREEN	13069B001-	13069B001-		

Myers STOCKED PARTS

HJ/HD SERIES EJECTO PUMP PARTS LIST
 1/3, 1/2, 3/4 & 1 HP
 DEEP WELL



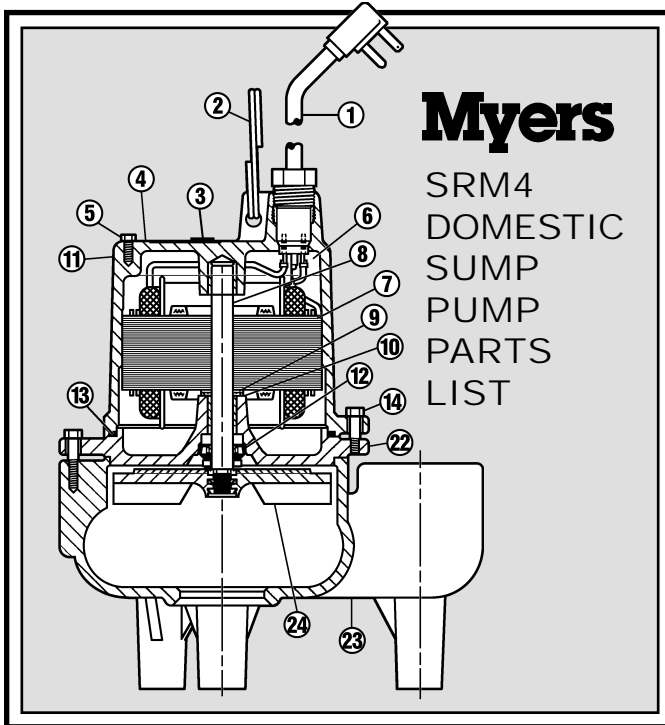
HJ	HD
1/3 HP	
HJ33D HJ33D-1	HD33D HD33D-1 HD33D-R HD33D-1R HD33D-1-21
1/2 HP	
HJ50D HJ50D-1 HJ50D-R	HD50D HD50D-1 HD50D-R HD50D-1R
3/4 HP	
HJ75D HJ75D-1	HD75D
1 HP	
HJ100D HJ100D-1	HD100D

Key No.		Stocked Part No. For 1/3 HP Units	Stocked Part No. For 1/2 HP Units	Stocked Part No. For 3/4 HP Units	Stocked Part No. For 1 HP Units
1	HJ Motor - 115V				
1	HJ MOTOR - 115/230V		20924A-	20934A-	20935A-
1	HD Motor - 115V				
1	HD Motor - 230V				
2	Bracket - HJ				
2	Bracket - HD				
3	Screw Set #10 - 24 UNC X 3/16" - HD - secures bearing - 2 req.				
3	Screw, Cap, 3/8" - 16 UNC x 7/8" - HJ - 4 required				
4	SLINGER	05059A318-	05059A318-	05059A318-	05059A318-
5	Gasket				
6	SHAFT SEAL	14525A000K-	14525A000K-	14525A000K-	14525A000K-
7	IMPELLER - Lexan	16621B010-	16622B010-		19196B4-
7	IMPELLER - Brass				
9	DIFFUSER		12371B000K-		
11	Screw, Cap, 1/4" - 20 UNC x 1" - 3 required				
13	O Ring				
14	Case, Pump				
15	Plug, Pipe, 1/8" NPT - 3 req.				
15	Plug, Pipe, 1/4" NPT - 3 req.				
16	Screw, Cap, 3/8" - 16 UNC x 1 1/4" - 4 required				
16	Screw, Cap, 7/16" - 14 UNC x 1 1/2" - 4 required				
17	Pressure Switch				
17	Nut, Conduit Nipple				
18	Nipple, Conduit - For units with separate nipple				
18	Pressure Regulator				
21	Pressure Regulator - Units with numbers containing R				
21	Fitting - 1/4" NPT - For units with plastic tube				
22	Tube - For units with plastic tube				
23	Fitting - 1/8" NPT - For units with plastic tube				
23	Package - Consists of Ref. Nos. 18 through 23				
23	Package - " Units with numbers containing R				
24	SCREEN	13069B001-	13069B001-		

-	VOLUTE GASKET CT PUMP	5059A446-
-	BRASS DRAIN BACK VALVE	10890A1-
-	3/4" SEAL	11416A-
-	1 1/2 HP MOTOR	11708A-
-	SHAFT SEAL	11716A001K-
-	HI-TEMP SEAL I2C	21181A16-
-	HI-TEMP SEAL 100MM HT/HJ	21181A44K-

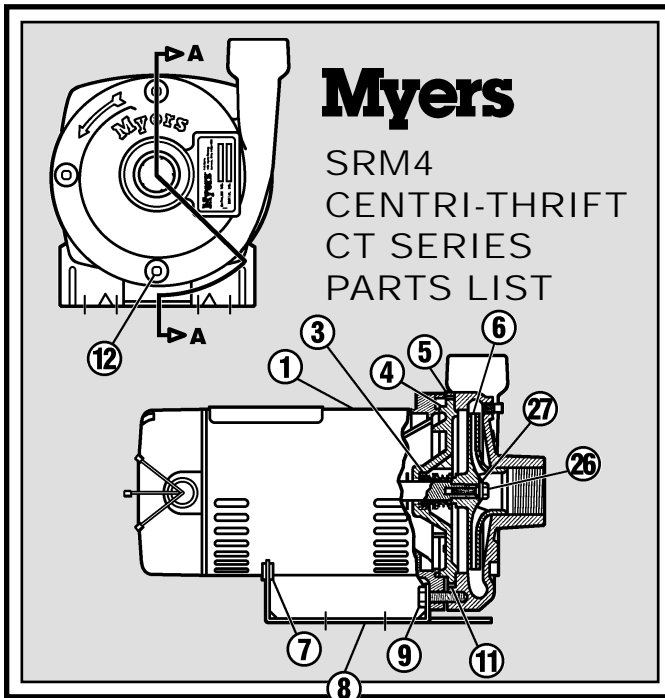
-	FLOAT SWITCH WIRE IN	21813B139-
-	LIGHTNING ARRESTOR HEART	22738A010-
-	CAPACITOR 86-103 MFD 220 VAC	24002A046K-
-	2 1/2" CORD GROMMET 2 HOLE	25689A000-
-	KC01 FLOAT SWITCH PLUG IN	25798A500-
-	PROXIMITY SWITCH KC-011	26292B100K-
-	SHAFT ALL CT PUMPS	26499B000-

Myers STOCKED PARTS



Myers
 SRM4
 DOMESTIC
 SUMP
 PUMP
 PARTS
 LIST

Key No.		No. Req.	Stocked Part No.
1	Cord, Electric	1	
2	Ring, Lift	1	
3	Plug 1/4" NPT	1	
4	Plate, Name (Not Stamped)	1	
5	Tapping Screw (Manual)	1	
	Tapping Screw (Automatic)	1	
6	Oil, Transformer (1 Qt. In Can)	1	
7	Stator	1	
8	Rotor With Shaft	1	
9	Washer, Thrust, SST	1	
10	Washer, Thrust, Graphite	1	
11	Housing, Motor	1	
	Housing With Stator 115V	1	
	Housing With Stator 230V	1	
13	Gasket, Rubber	1	
14	Screw, Cap, 1/4-20 x 7/8 Lg.	6	
17	Plate, Bottom, With Volute Case	1	
18	Screw, Tapping, #10 x 1" Lg.	3	
19	Screw, Tapping, #10 x 1 3/4" Lg.	3	
20	CONTROL, LEVEL, 115V, 10', PIGGY BACK	1	21813B130-
20	CONTROL, LEVEL, 115V, 20', PIGGY BACK	1	1813B131K-
21	Tie, Cable	1	
22	Plate, Seal	1	
23	Case, Volute	1	
24	Impeller	1	



Myers
 SRM4
 CENTRI-THRIFT
 CT SERIES
 PARTS LIST

Key No.		No. Req.	Stocked Part No.
1	Motor	1	
3	Seal, Rotary 5/8 Shaft	1	
	Std Seal - Polycarbonate Impeller	1	
3	SEAL ROTARY 5/8 SHAFT	1	21181A021-
	HI-TEMP SEAL - BRASS IMPELLER	1	
4	Plate, Seal - Cast Iron	1	
5	Case, Volute - Cast Iron	1	
6	Impeller	1	
	Polycarbonate		
	Bronze		
7	Tube	1	
8	Bracket	1	
9	Cap Screw, 3/8-16 UNC x 1 1/8 Lg.	4	
11	Gasket, 6 1/4 x 5 17/32 x 1/32 Vellumoid	1	
12	Plug, 1/8 NPT - Galvanized	3	
13	Plate, Name	1	
26	Cap Screw, 1/4-28 UNF x 7/8 Lg. (3 ph)	1	
27	Washer, 1 1/16 OD Bronze (3 ph)	1	

- GASKET	5014A157-
- GASKET	5059A312-
- GASKET	5059A332-
- AIR VOLUME CONTROL	5857A002-
- GASKET	5863A13-
- O-RING	5876A3-
- 1 HP 2W SUB MOTOR 230V	S2JF102L-

- 1/2 HP 2W SUB MOTOR 115V	S2JF51L-
- 1/2 HP 2W SUB MOTOR 230V	S2JF52L-
- 3/4 HP 2W SUB MOTOR 230V	S2JF72L-
- 1 HP 3W SUB MOTOR 230V	SJF102L-
- 1/2 HP 3W SUB MOTOR 115V	SJF51L-
- 1/2 HP 3W SUB MOTOR 230V	SJF52L-
- 3/4 HP 3W SUB MOTOR 230V	SJF72L-